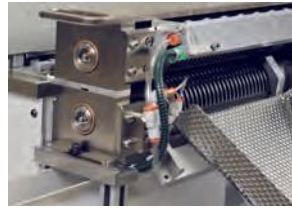




## State-of-the-Art Manufacturing Systems for the Test Strip Industry

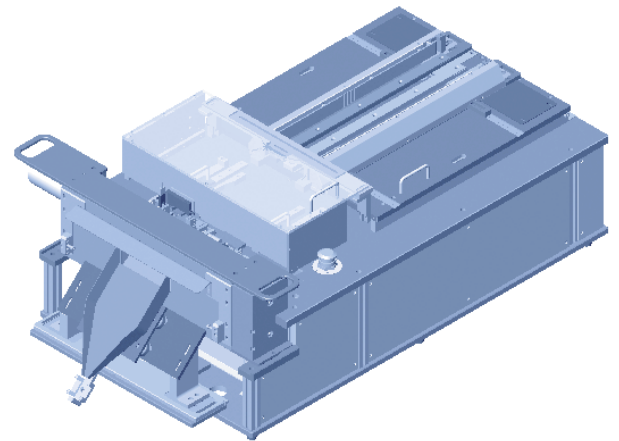


# *Matrix*<sup>TM</sup> 2531 Rotary Slitting Module

# Matrix™ 2531

The **Matrix™ 2531** Rotary Slitting Module *utilizes a modular design for moderate to high volume cutting of test strips.*

Kinematic Automation's commitment to continuous technological advancement has led to the development of a line of standard systems and modules for the manufacturers of diagnostic test strips. From the development laboratory to the production floor; Kinematic **Matrix** systems offer cost effective advanced technologies for all strip manufacturing processes including dispensing, laminating, cutting and packaging.



## SPECIFICATIONS

### Key Features

- Automatic "Load-on-the-Fly" card magazine
- Modular Design
- Quick change cutting modules
- Very low maintenance
- Very high throughput

### Capacities

Maximum card length ..... 13" (33 cm)  
Maximum card thickness ..... 0.09" (2.3 mm)

### Performance

Minimum of 1,250 strips per minute (based on cards of 50 strips being fed automatically)

### Options

- Automatic electronic registration of product
- Single tapered or Split chutes with vial holder
- Stretched version to accommodate card lengths of 45 cm
- Blade configurations to slit all product types
- C2 carbide cut modules

### Facility Requirements

Power ..... 110/220 VAC, 50/60 Hz, 10 A  
Air Requirements..... 4 cfm @ 80 psi (113 lpm @ 5.5 bar)

### Dimensional Specifications

Size ..... 43" L x 25" W x 18" H  
Weight ..... 390 lbs

### Cutting Module

Blade diameter ..... 3.045" (77.343 mm)  
Blade material ..... Hardened D2 tool steel  
Weight (50 Strip Model) ..... 60 lbs

**Warranty** ..... 36 Months

Specifications subject to change without notice

The **Matrix 2531** Rotary Slitting Module is an extension of Kinematic's workhorse, the **Matrix 2501** Rotary Slitting module. This new version employs the best of Kinematic's technology to automatically feed cards, register them for accurate cutting, and then direct them into the slitting operation.

Since many high-volume test strip products such as those for blood glucose testing, require accurate dimensional parameters, the **Matrix 2531** is the perfect low-cost solution for accurately registering and slitting them. The cards are fed automatically from a "Load-on-the-Fly" card magazine, optically registered to a printed or physical feature on the strips, and then fed into a highly precise rotary slitting assembly.

After slitting, the strips exit the machine via a tapered output chute allowing easy collection in a bottle or vial. Options are available that improve strip collection efficiency. These options range from multiple-sort diverter chutes for collecting the strips to a vibratory drive base to gently vibrate the output chute to make the strips fall easier.

### The Matrix 2531 vs. other roller cutters:

- Ergonomic machine design with easy set-up
- Blades require virtually no maintenance other than cleaning
- Excellent output geometry for strip handling
- Compatible with virtually all test strip materials
- Blade life is extremely long

Kinematic Automation Inc.  
Post Office Box 69  
Twain Harte  
USA-California 95383



Tel. +1 209 532 3200  
Fax +1 209 532 0248  
sales@kinematic.com  
www.kinematic.com