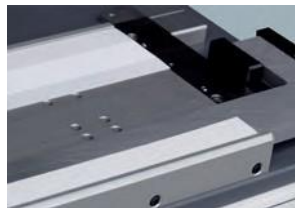




State-of-the-Art Manufacturing Systems for the Test Strip Industry



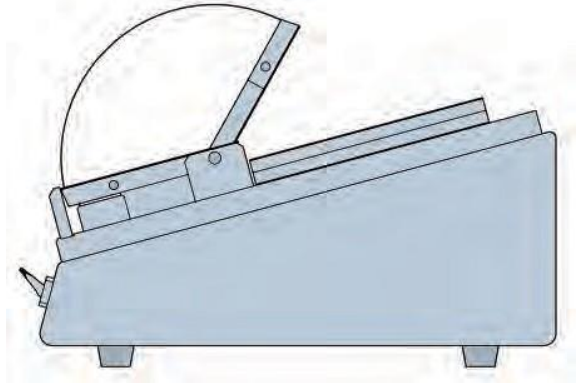
Matrix[™]

2210 Universal Laminator

Matrix™ 2210

The **Matrix™ 2210 Universal Laminator Module** features a quick change track alignment system to produce a wide variety of laminations.

Kinematic's commitment to continuous technological advancements has led to the development of a line of standard systems and modules for the manufacturers of diagnostic test strips. From the development laboratory to the production floor; Kinematic's Matrix™ systems offer cost effective advanced technologies for all strip manufacturing processes including dispensing, laminating, cutting and packaging.



TECHNICAL DATA

Key Features

- Quick change track alignment key
- Low Cost
- Process multiple products with one unit
- Verify high laminating accuracy
- Repeatable process control
- High throughput
- Very low maintenance
- Ease of use and set-up
- User configurable vacuum platens

Capacities

Substrates

- Maximum length..... 13" (33 cm)
- Maximum width..... 4.5" (11.5 cm)

Membranes

- Maximum length..... 13" (33 cm)
(Stretch..... 17.5" (45 cm))
- Maximum width..... 1.5" (3.8 cm)
- Lamination Tolerance ± 0.010 " (0.25 mm)
+ Material Tolerance

Facilities Requirements

- Process air..... 7.6 cfm @ 90 psi
215 lpm @ 6.2 bar
Clean, dry air
- No electrical or vacuum connection required

Dimensional Specifications

- Size..... 20" W x 12" D x 6" H
51 cm W x 30.5 cm D x 15 cm H

Weight..... 22 lbs (10 kg)

Warranty..... 36 months

The **Matrix 2210** Universal Laminator Module is an easy to use card lamination instrument. Designed to laminate a wide variety of rapid diagnostic test strip products, this unit can easily support your laminating requirements from product development through production quantities.

Constructed of high quality components and engineered for long life, the **Matrix 2210** will provide outstanding performance and value. With a patented low cost, quick change track alignment key system, you may begin processing an entirely different card product in a matter of minutes. Combined with this unique flexibility is Kinematic Automation's proven performance and reliability embodied in all **Matrix** Series modules.

The Matrix™ 2210 vs. other Laminators

- Flexible for multiple products (changing the alignment system in 60 seconds)
- Vacuum is generated by compressed air
- Card is made right side up

US Patent No. 5.849.141

Specifications subject to change without notice

Post Office Box 69
Twain Harte
California 95383 USA



Tel +1.209.532.3200
Fax +1.209.532.0248
sales@kinematic.com
www.kinematic.com